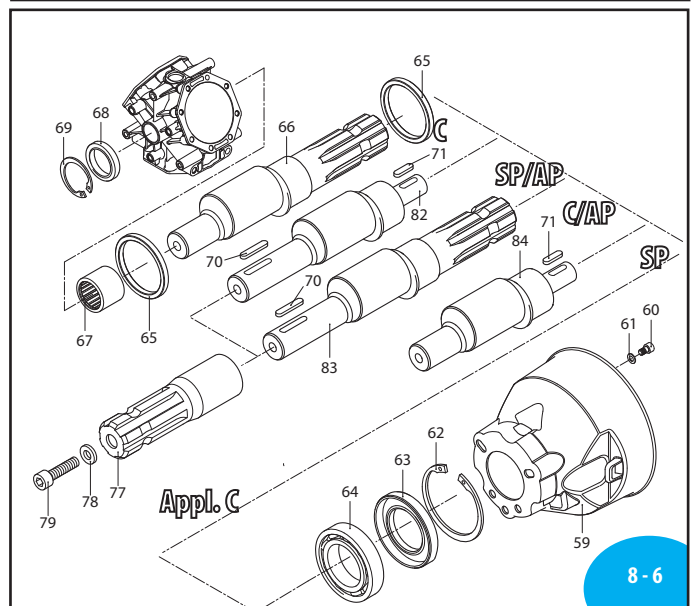
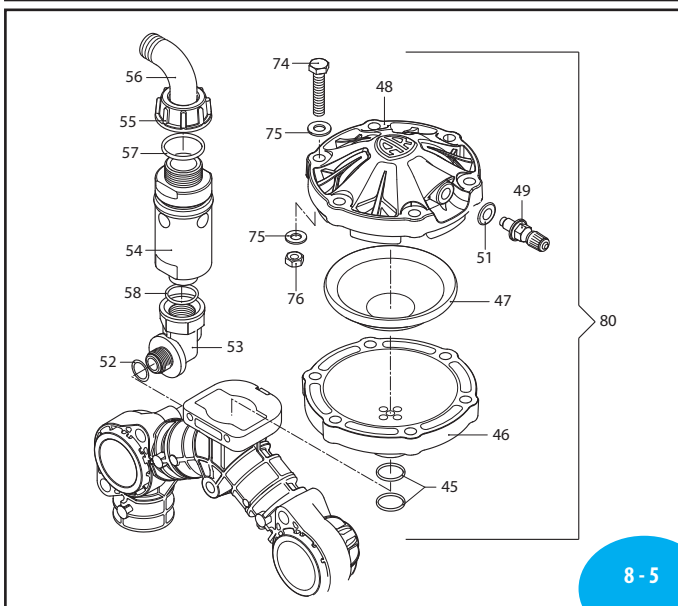
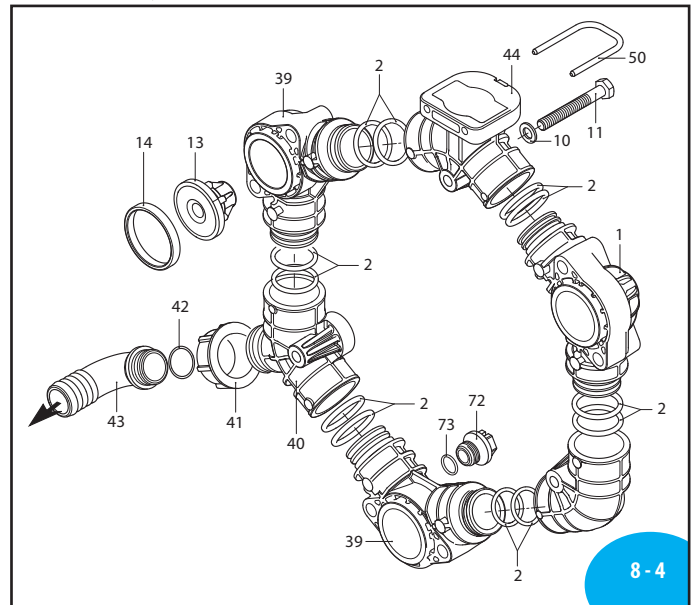
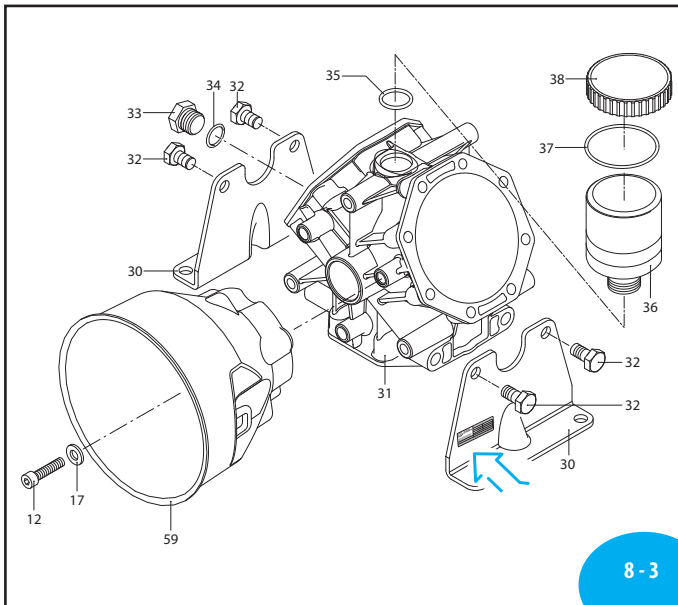
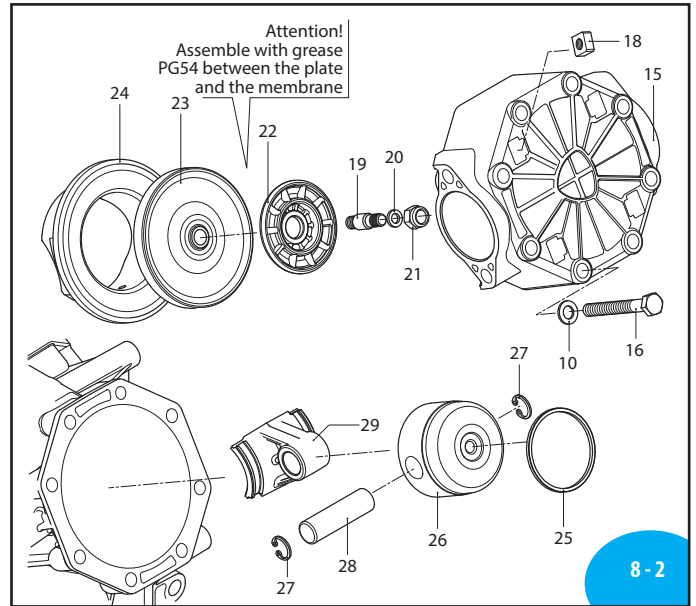
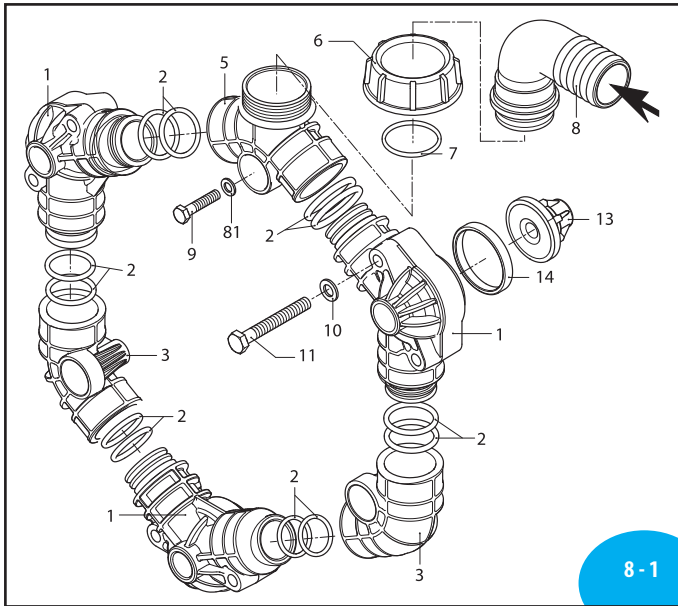


A.R. NORTH AMERICA

AR80LFP / AR 80 bp



AR80LFP / AR 80 bp

Low pressure

Pos	Code	Discription	Qty	Note
1	3240030	Line valve closed	4	
2	390291	O-ring Ø 28.25x2.62	24	
	390292	O-ring Ø 28.25x2.62	24	Viton LFP
3	3240040	Manifold	3	
5	3240050	Line asp. threaded	1	
6	750670	Ring nut 1 1/2" G	1	
7	390290	O-ring Ø 29x3	1	
	1880460	O-ring Ø 29x3	1	Viton LFP
8	50267	Elbow 1 1/2"	1	
9	3240280	Screw TE M8x55	6	SS T105*
10	3120760	Washer	36	SS
11	380211	Screw TE M8x75	12	SS T90*
12	820672	Screw TCEI M10x16	4	SS
13	2429050	Valve	6	
	2429051	Valve AISI 316L	6	LFP
14	3460240	Gasket	6	
	3460380	Gasket	6	Viton LFP
15	3240020	Head	3	
16	621771	Screw TE M8x80	24	SS T125*
17	395870	Washer	4	SS
18	3120510	Nut M8	12	SS
19	3240100	Hub pin AISI 303	3	T265* (a)
	3240101	Hub pin AISI 316L	3	LFP T265* (a)
20	320622	Washer	3	SS
21	2240110	Nut M10 AISI 304	3	T220*
	2240670	Nut M10 AISI 316L	3	LFP T220*
22	3240110	Plate	3	
23	1040081	Diaphragm	3	NBR
	1040083	Diaphragm	3	BlueFlex™
	1040080	Diaphragm	3	Desmopan
	1040082	Diaphragm	3	Viton
24	3240130	Sleeve	3	
25	650190	Piston ring	1	
26	1040120	Piston Ø 63	3	
27	1040270	Ring circlip Øi 15	2	
28	1040070	Pin	3	
29	3240120	Connecting-rod	3	
30	3240090	Foot	2	
31	3240010	Pump body	1	
32	620342	Screw TE M10x20	4	SS T265*
33	880530	Plug 3/8" G	1	T180*
34	740290	O-ring Ø 14x1.78	1	
35	720030	O-ring Ø 22.22x2.62	1	
36	3120240	Tank	1	T180*
37	650920	O-ring Ø 53.65x2.62	1	
38	1040324	Plug rosso	1	
39	3240031	Line	2	
40	3240060	Line	1	
41	3120440	Ring nut 1" G	1	
42	1140450	O-ring Ø 20.24x2.62	1	
	1140451	O-ring Ø 20.24x2.62	1	Viton

Pos	Code	Discription	Qty	Note
43	3120460	Elbow 1"	1	
44	3240070	Line	1	
45	550040	O-ring Ø 26.65x2.62	2	
	880311	O-ring Ø 26.65x2.62	2	Viton LFP
46	3460180	Semi air chamber lower	1	Nylon
47	800190	Diaphragm air chamber	1	NBR
	800192	Diaphragm air chamber	1	BlueFlex™
48	3460190	Semi air chamber upper	1	Nylon
49	180020	Air valve	1	T15*5
50	3460210	Fork	1	
51	650542	Gasket	1	
52	2440230	O-ring	1	
53	3460330	Fitting 3/8"G(M) - 1/2"G(F)	1	activator
54	1609000	Safety valve	1	290 PSI + activator
55	550450	Ring nut 3/4" G	1	
56	550460	Elbow Ø 18	1	
57	880831	O-ring Ø 15.54x2.62	1	Viton
58	180101	O-ring Ø 17.5x2	1	
	180102	O-ring Ø 17.5x2	1	Viton
59	3240290	Shield	2	
60	820672	Screw TCEI M10x16	4	SS T90*
61	395870	Washer	4	SS
62	961790	Ring circlip Øi 68	1	
63	3120160	Ring seal	1	
64	961780	Bearing	1	
65	3240320	Ring connecting rod	2	
66	3240150	Shaft C marked EE	1	
67	3460110	Bearing	1	
68	1300230	Ring seal	1	
69	480900	Ring circlip Øi 35	1	
70	650250	Key	1	(d)
71	2280950	Key	1	(d)
72	3120690	Plug 3/8" G	1	
73	2840890	O-ring Ø 14x2	1	
	2840591	O-ring Ø 14x2	1	Viton LFP
74	621782	Screw TE M8x40	6	SS T180*
75	390315	Washer	12	SS
76	3120260	Nut M8	6	SS T180*
77	650300	Coupling	1	
78	961340	Washer	1	
79	680350	Screw TCEI M8x35	1	T180*
80	1506	Air chamber NBR	1	
	43065	Air chamber BlueFlex™	1	
	43067	Air chamber BlueFlex™	1	LFP
81	390315	Washer	6	SS
82	3240170	Shaft SP/AP marked DM	1	
83	3240160	Shaft C/AP marked EF	1	
84	3240190	Shaft SP marked EB	1	

(a) Screw with Loxale 83-21 thread lock STRONG.

(d) Supplied in kit applications.

* Torque: in-lbs +/- 10%



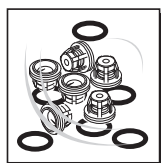
AR 43247
BlueFlex diaphragms

AR 43244
NBR diaphragms

AR 43246
Viton diaphragms

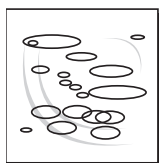
AR 43245
Desmopan diaphragms

Pos.	Qty
14	6
23	3
45	2
47	1



AR 42805
Valves - AR80bp
AR 43138
Valves - AR80LFP


Pos.	Qty
13	6
14	6



AR 42857 - AR 80 bp
AR 43128 - AR 80 LFP
O-Rings

Pos.	Qty	Pos.	Qty
2	24	52	1
7	1	57	1
34	1	58	1
35	1	73	1
37	1		
42	1		
45	2		




Pump and manufacturer identification.

Suggested oil

Type	Oz
AR64516	16

Crankcase Oil
Capacity 13 oz